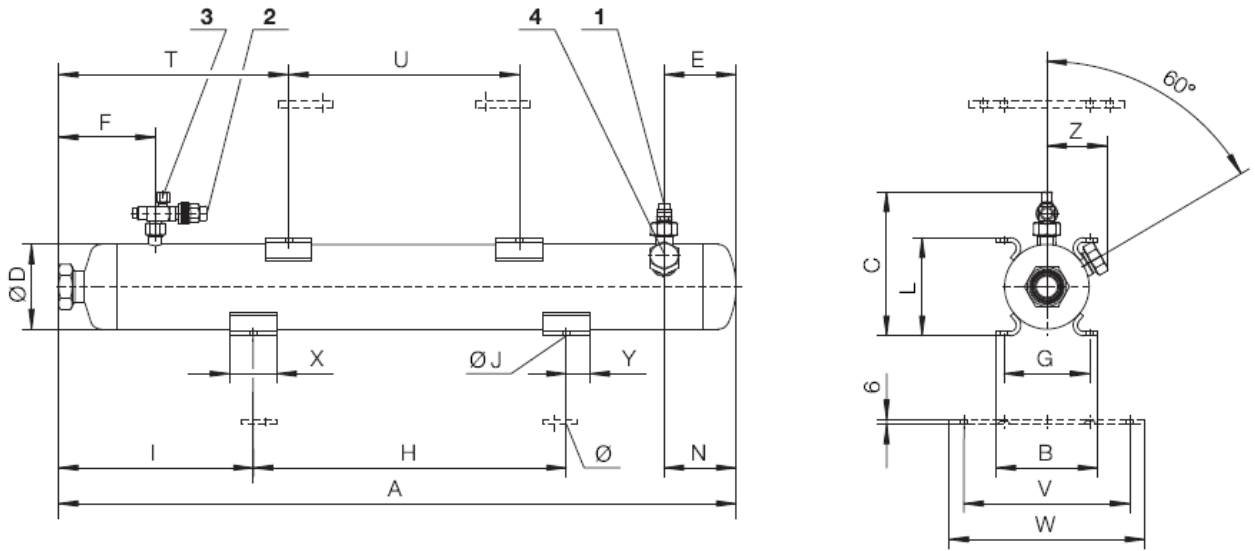


F062H

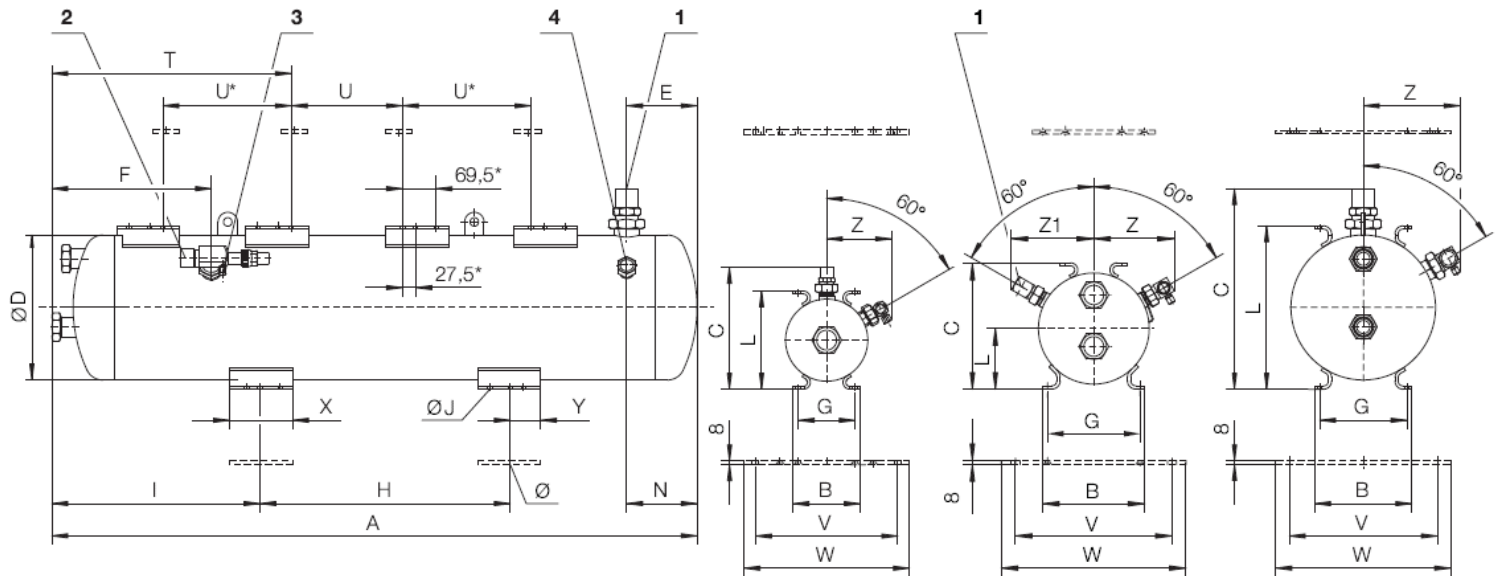


F102H .. F552T / F1052T

F102H / F152H

F192T / F392T

F202H .. F552T / F1052T



Connection positions

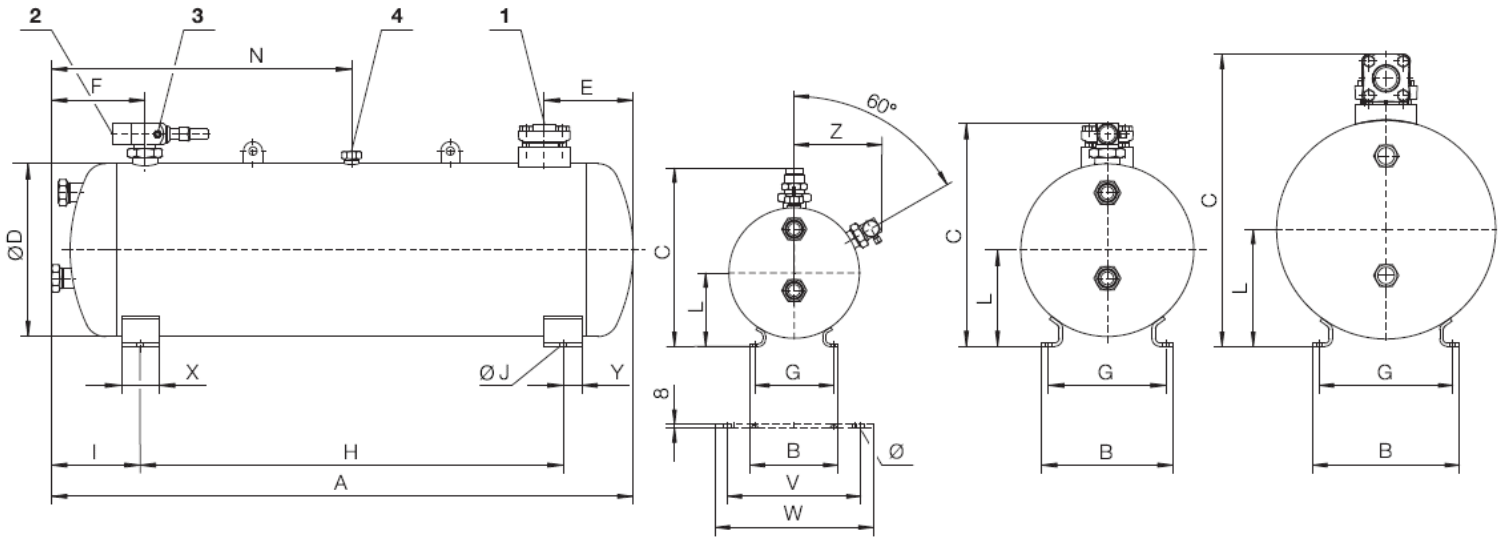
- 1 Refrigerant inlet
- 2 Refrigerant outlet
- 3 Pressure gauge connection
- 4 Pressure relief valve connection

F562N .. F902N / F1202N .. F3102N

F562N .. F902N

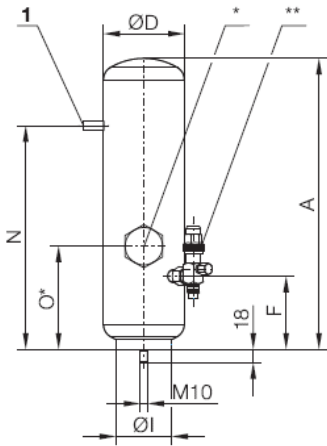
F1202N .. F1602N

F2202N .. F3102N

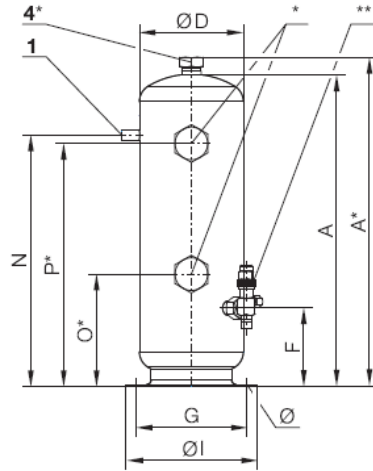


| Typ Type Type | Abmessungen in mm Dimensions in mm Dimensions en mm | | | | | | | | | | | | | | | | | | | | | |
|--------------------------|---|-----|-----|-----|-----|-----|-----|-----|-----|----|-----|-----|-----|-----|-----|-----|-----|-----|------|-----|-----|----|
| | A | B | C | øD | E | F | G | H | I | øJ | L | N | T | U | U* | V | W | X | Y | Z | Z1 | Ø |
| F062H | 864 | 130 | 184 | 108 | 92 | 122 | 110 | 400 | 247 | 9 | 125 | 92 | 292 | 295 | - | 212 | 250 | 60 | 30 | 79 | - | 9 |
| F102H | 623 | 130 | 234 | 159 | 96 | 127 | 110 | 400 | 127 | 9 | 190 | 96 | 117 | 295 | - | 275 | 320 | 60 | 30 | 122 | - | 13 |
| F152H | 873 | 130 | 242 | 159 | 96 | 127 | 110 | 752 | 76 | 9 | 190 | 96 | 202 | 335 | - | 275 | 320 | 50 | 32 | 123 | - | 13 |
| F192T | 1121 | 130 | 190 | 159 | 96 | 127 | 110 | 740 | 206 | 9 | 95 | 96 | 163 | 260 | 283 | 275 | 320 | 60 | 30 | 123 | 126 | 13 |
| F202H | 665 | 200 | 293 | 216 | 115 | 150 | 180 | 400 | 150 | 9 | 236 | 115 | 102 | 381 | - | 275 | 320 | 60 | 30 | 159 | - | 13 |
| F252H | 825 | 200 | 293 | 216 | 115 | 150 | 180 | 400 | 230 | 9 | 236 | 115 | 195 | 381 | - | 305 | 360 | 60 | 30 | 159 | - | 18 |
| F302H | 945 | 200 | 293 | 216 | 115 | 150 | 180 | 740 | 120 | 9 | 236 | 115 | 215 | 381 | - | 305 | 360 | 60 | 30 | 159 | - | 18 |
| F392T | 1215 | 200 | 245 | 216 | 115 | 150 | 180 | 740 | 255 | 9 | 118 | 115 | 212 | 260 | 283 | 305 | 360 | 60 | 30 | 159 | 161 | 18 |
| F402H | 1215 | 200 | 299 | 216 | 115 | 150 | 180 | 740 | 255 | 9 | 236 | 115 | 350 | 381 | - | 305 | 360 | 60 | 30 | 165 | - | 18 |
| F552T | 1665 | 200 | 299 | 216 | 115 | 300 | 180 | 900 | 400 | 9 | 236 | 115 | 586 | 381 | 381 | 305 | 360 | 130 | 62,5 | 165 | - | 18 |
| F562N | 965 | 200 | 410 | 298 | 145 | 180 | 180 | 400 | 305 | 9 | 168 | 230 | - | - | - | 305 | 360 | 60 | 30 | 201 | - | 18 |
| F732N^① | 1215 | 200 | 410 | 298 | 145 | 180 | 180 | 900 | 180 | 9 | 168 | 230 | - | - | - | 305 | 360 | 60 | 30 | 201 | - | 18 |
| F902N^① | 1465 | 200 | 415 | 298 | 145 | 180 | 180 | 900 | 305 | 9 | 168 | 230 | - | - | - | 305 | 360 | 60 | 30 | 201 | - | 18 |
| F1052T | 1715 | 200 | 415 | 298 | 145 | 330 | 180 | 900 | 430 | 9 | 336 | 145 | 611 | 381 | 381 | 305 | 360 | 130 | 62,5 | 201 | - | 18 |
| F1202N | 1238 | 280 | 478 | 368 | 191 | 189 | 250 | 900 | 187 | 13 | 205 | 637 | - | - | - | - | - | 80 | 40 | - | - | - |
| F1602N | 1733 | 280 | 478 | 368 | 189 | 194 | 250 | 900 | 434 | 13 | 205 | 884 | - | - | - | - | - | 80 | 40 | - | - | - |
| F2202N | 1358 | 335 | 666 | 500 | 264 | 284 | 305 | 900 | 244 | 13 | 267 | 694 | - | - | - | - | - | 80 | 40 | - | - | - |
| F3102N | 1858 | 335 | 666 | 500 | 264 | 284 | 305 | 900 | 494 | 13 | 267 | 944 | - | - | - | - | - | 80 | 40 | - | - | - |

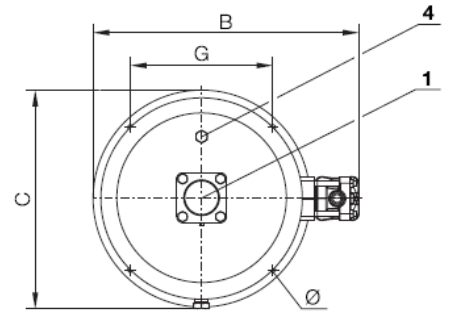
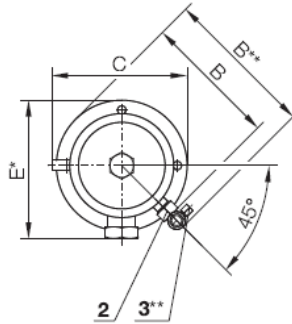
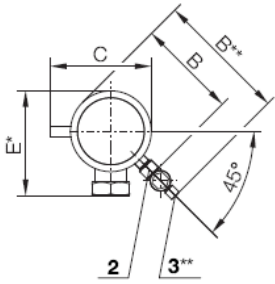
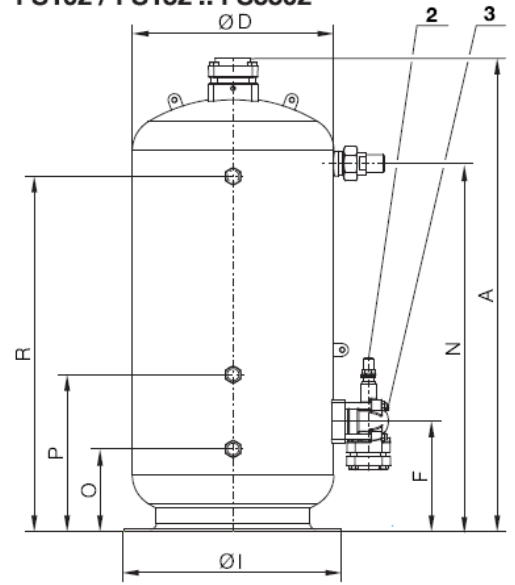
FS36



FS56 / FS76 / FS126



FS102 / FS152 .. FS5502



| Typ Type Type | Abmessungen in mm Dimensions in mm Dimensions en mm | | | | | | | | | | | | | | | | |
|---------------------|---|-----|-----|-----|-----|-----|-----|-----|-----|-----|-----|-----|-----|-----|-----|------|-------|
| | A | A* | B | B** | C | øD | E* | F | G | øI | N | O | O* | P | P* | R | Ø |
| FS36 | 389 | - | 133 | 176 | 135 | 108 | 135 | 98 | - | 75 | 299 | - | 138 | - | - | - | (M10) |
| FS56 | 353 | 379 | 203 | 246 | 206 | 159 | 212 | 120 | 170 | 200 | 260 | - | 127 | - | 260 | - | 13 |
| FS76 | 478 | 504 | 203 | 232 | 206 | 159 | 212 | 120 | 170 | 200 | 385 | - | 172 | - | 372 | - | 13 |
| FS126 | 440 | 466 | 258 | 286 | 260 | 216 | 265 | 124 | 220 | 250 | 325 | - | 183 | - | 325 | - | 13 |
| FS102 | 666 | - | 231 | - | 210 | 159 | - | 110 | 170 | 200 | 510 | 145 | - | - | - | 475 | 13 |
| FS152 | 924 | - | 233 | - | 210 | 159 | - | 110 | 170 | 200 | 760 | 175 | - | - | - | 695 | 13 |
| FS202 | 710 | - | 296 | - | 264 | 216 | - | 124 | 156 | 250 | - | 139 | - | - | - | 484 | 13 |
| FS252 | 870 | - | 296 | - | 264 | 216 | - | 124 | 156 | 250 | - | 164 | - | 274 | - | 644 | 13 |
| FS302 | 994 | - | 296 | - | 264 | 216 | - | 124 | 156 | 250 | - | 179 | - | 324 | - | 749 | 13 |
| FS402 | 1264 | - | 296 | - | 264 | 216 | - | 124 | 156 | 250 | - | 209 | - | 424 | - | 989 | 13 |
| FS562 | 1021 | - | 379 | - | 340 | 298 | - | 154 | 205 | 320 | - | 179 | - | 324 | - | 759 | 13 |
| FS732 | 1271 | - | 380 | - | 340 | 298 | - | 154 | 205 | 320 | - | 204 | - | 414 | - | 984 | 13 |
| FS902 | 1526 | - | 380 | - | 340 | 298 | - | 154 | 205 | 320 | - | 234 | - | 494 | - | 1204 | 13 |
| FS1122 | 1290 | - | 473 | - | 415 | 368 | - | 198 | 255 | 400 | - | 213 | - | 418 | - | 1003 | 13 |
| FS1602 | 1790 | - | 472 | - | 415 | 368 | - | 198 | 255 | 400 | - | 258 | - | 578 | - | 1458 | 13 |
| FS2202 | 1440 | - | 659 | - | 541 | 500 | - | 263 | 340 | 520 | - | 248 | - | 473 | - | 1098 | 14 |
| FS3102 | 1940 | - | 659 | - | 541 | 500 | - | 263 | 340 | 520 | - | 293 | - | 633 | - | 1553 | 14 |
| FS4002 | 1528 | - | 858 | - | 706 | 650 | - | 357 | 460 | 700 | - | 267 | - | 507 | - | 1147 | 18 |
| FS4752 | 1778 | - | 858 | - | 706 | 650 | - | 357 | 460 | 700 | - | 285 | - | 587 | - | 1395 | 18 |
| FS5502 | 2028 | - | 858 | - | 706 | 650 | - | 357 | 460 | 700 | - | 317 | - | 667 | - | 1647 | 18 |